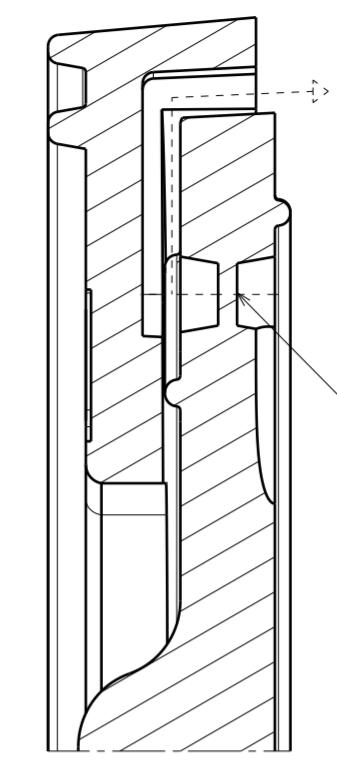
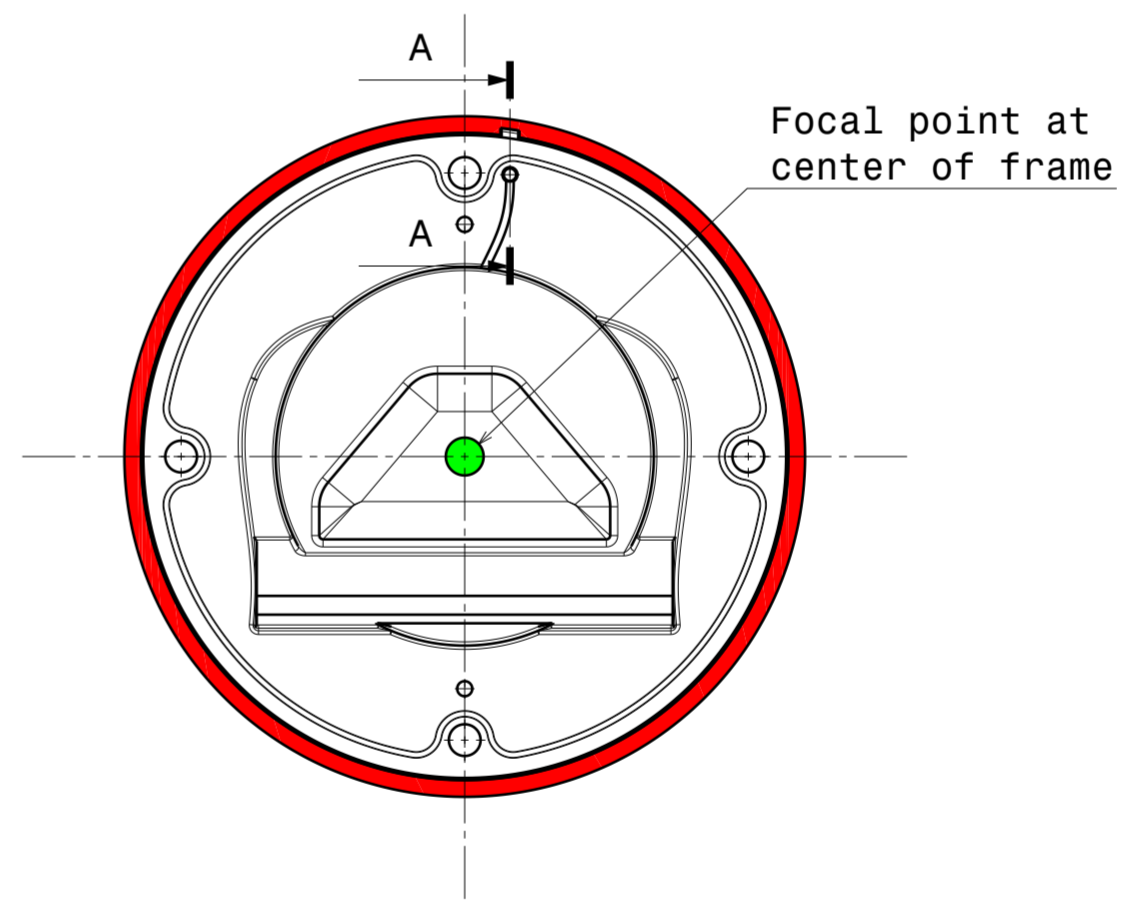
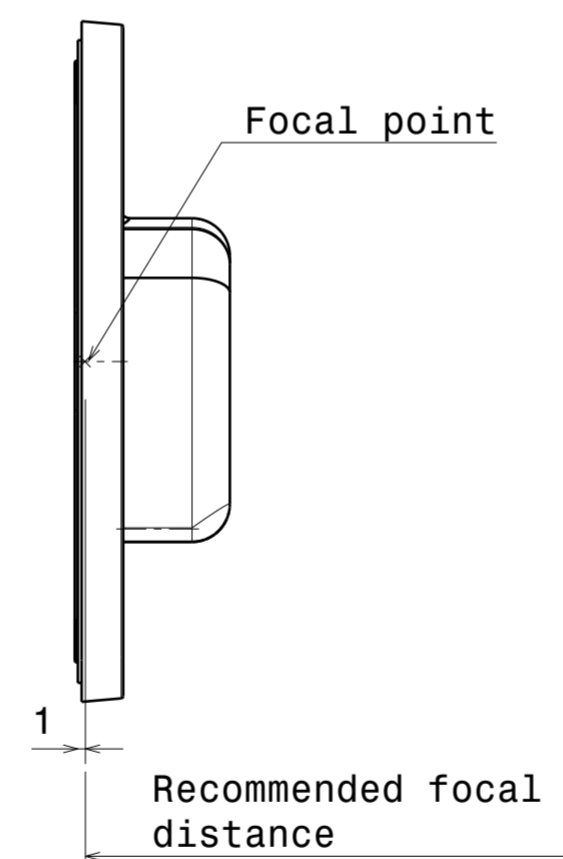
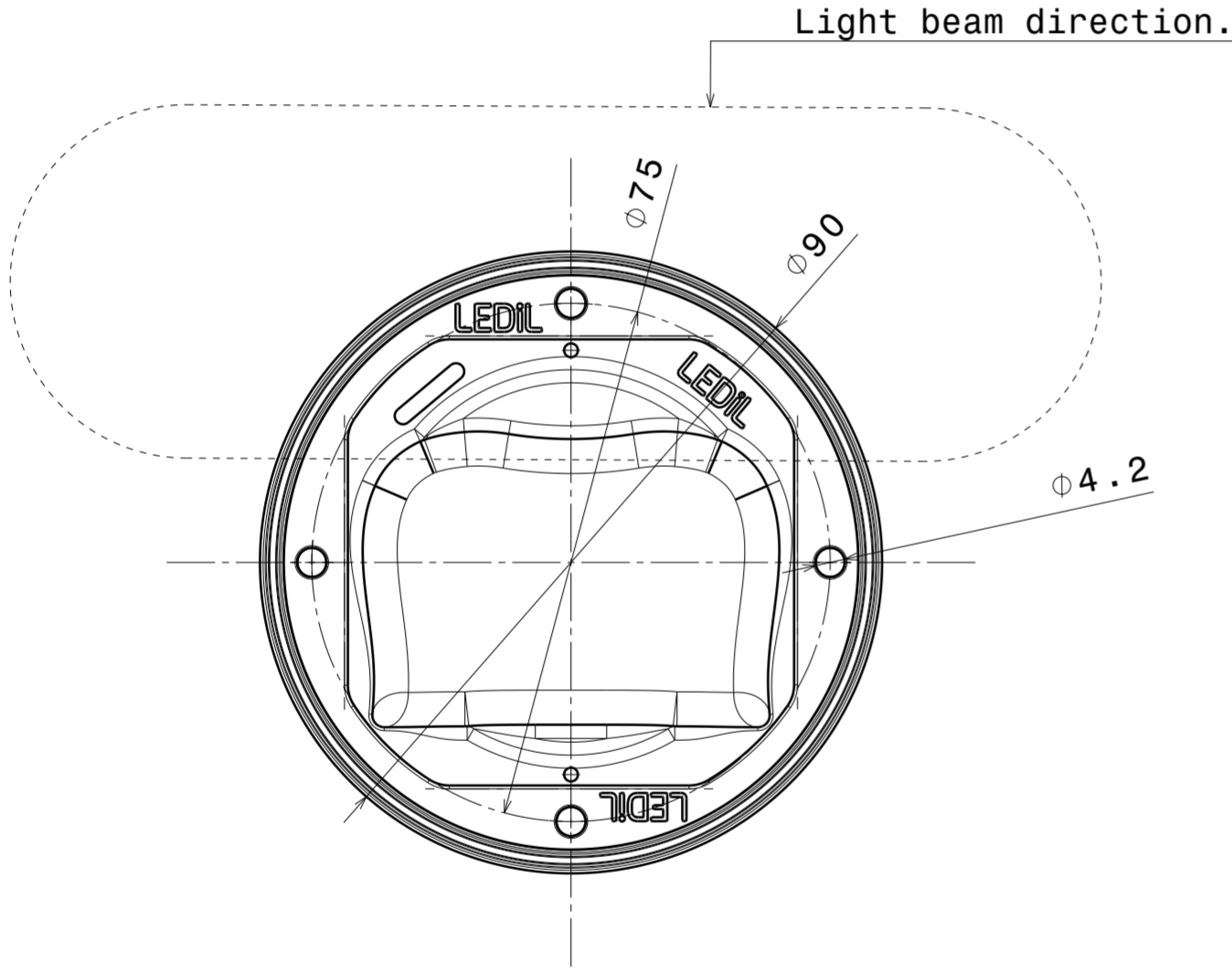


Isometric view  
Scale: 1:1



Venting pipe:  
Piercing this membrane  
will Allow lens breathing

Section view A-A  
Scale: 5:1



**COMPONENTS**  
FN14976\_STELLA-DWC2

INDEX	PART	TYPE	MATERIAL	COLOR / COATING
1	F13322_STELLA-FRAME		PA66GF30	black
2	F14934_STELLA-DWC2		Optical grade LSR	clear

**Notes**

- PCB or heatsink level.
- LED location
- Ensure LED fitting from a product specific 3D model available from [www.ledil.com](http://www.ledil.com)
- For more details about installation please see LEDiL Installation Guide on [www.ledil.com](http://www.ledil.com)

<b>MECHANICAL DRAWING</b>		<b>LEDiL®</b>
PRODUCT <b>STELLA</b>		
Plastic moulding general tolerances according to DIN 16901-130 and applies if not otherwise shown in the drawing. Silicone moulding general tolerances according to ISO 3302-1 Class M3 and applies if not otherwise shown in the drawing.	FIRST ANGLE PROJECTION: 	This drawing is the property of LEDiL Oy. It may not be copied or otherwise distributed without prior written permission from LEDiL Oy.
SCALE 1:1	WEIGHT 43 g	A2 SHEET 1/1